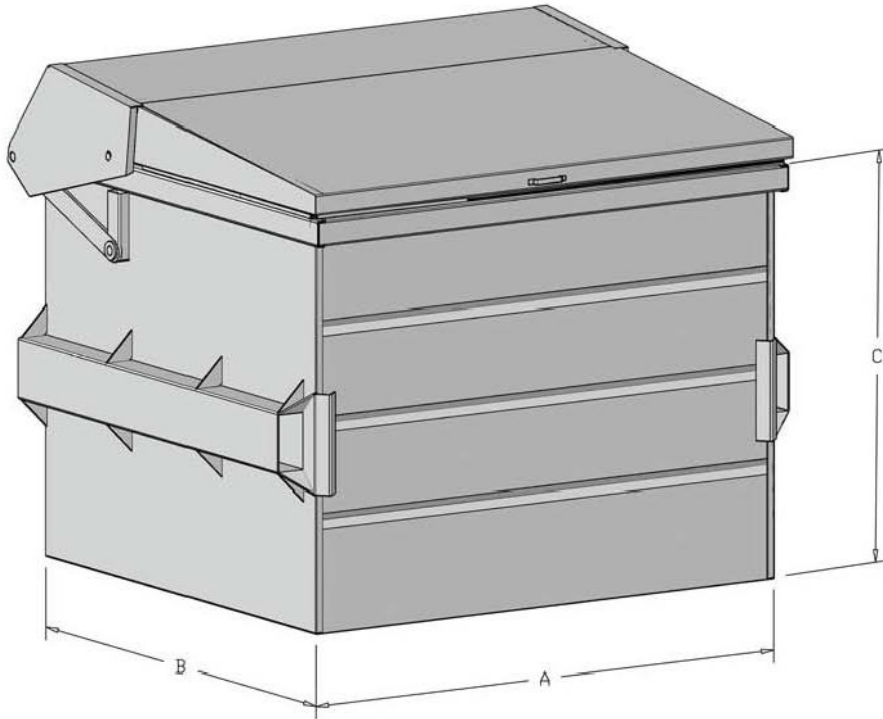


Dumpster Enclosure Dimension Requirements:

Dumpster Capacity	Inside Clearance Required – Width (A)	Inside Clearance Required – Depth (B)	Inside Clearance Required – Height (C)
Three cubic yards	10 feet	6.5 feet	7.0 feet
Four cubic yards	10 feet	7.0 feet	7.5 feet
Six cubic yards	10 feet	8.5 feet	8.0 feet



Additional considerations:

The dimensions listed above represent the uninterrupted space requirements for basic Frontloader pull-out service. Any additional **bollards, posts, hinges,** or other building related items must make way for these dimensions and are not included in the sizing requirements listed. Doors must open in a manner to grant ten feet of width space with a mechanism to remain open (pins). Basic pull-out service requires clear, unimpeded access to accommodate a large garbage truck, approximately eighty feet in front of enclosure. Please contact our office with any questions regarding approach, positioning, or sizing at 530-583-7800.

Bollards or bumpers are recommended for the backside of enclosures. **Roofing is not recommended.** TTSD highly advises all enclosures to be built large enough to accommodate a six yard dumpster, regardless of current service level needs. The additional space requirements are minimal and allow for future changes in service levels.

If these dimensions are not followed, the business owner may be responsible to pay for charges related to special pull-out service (if available) or make arrangements to have the dumpster outside of the enclosure on the scheduled pickup day. Customer is also responsible for keeping the enclosure free of clutter and packed snow.